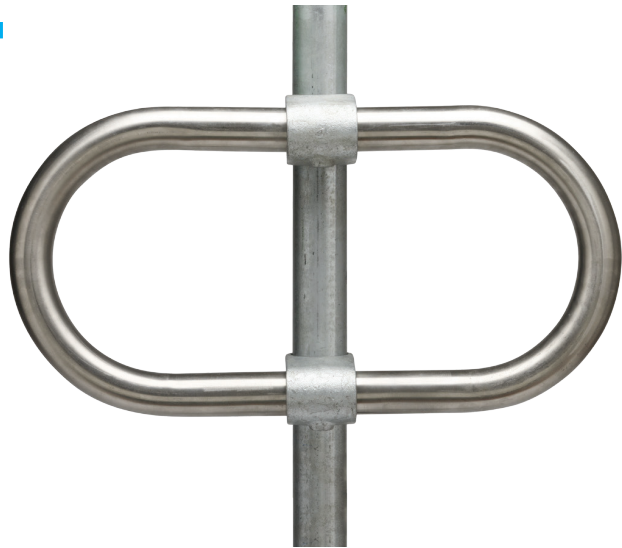


Pole Vault™



Galvanised finish / Stainless Steel finish

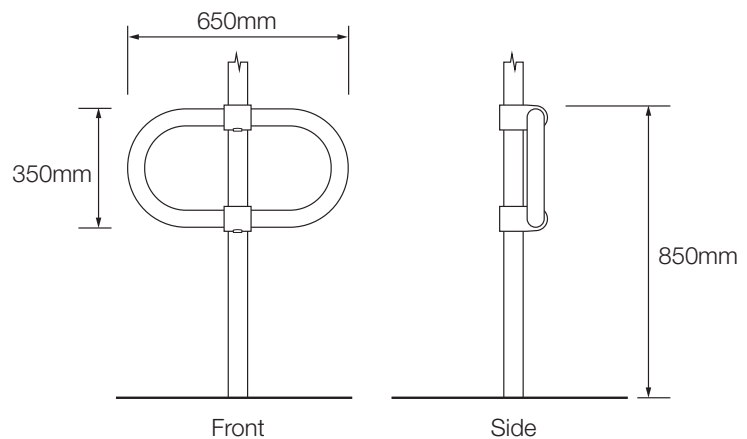
Features



The Pole Vault is an innovative street sign mounted bike parking rail that can be fitted in minutes with no drilling or concrete required.

- Can be retro-fitted to existing sign poles
- Accommodates a wide range of sizes and styles of bikes
- Can be moved and re-fitted to different locations
- Available in galvanised (Duragal) or stainless material
- Easy to use with any bike lock
- Supports the entire bike so it won't slip or fall over

Dimensions



Specifications

Material options

- 316 Marine grade stainless steel
- Galvanised (Duragal)

Fixing options

- Clamp on

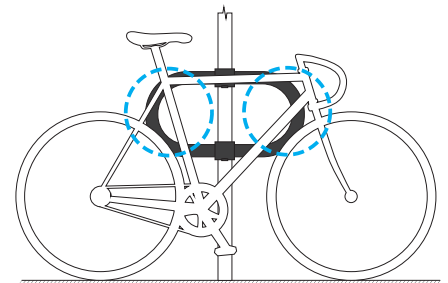
Recommended fasteners

- 8mm Allen head bolts

Dimensions

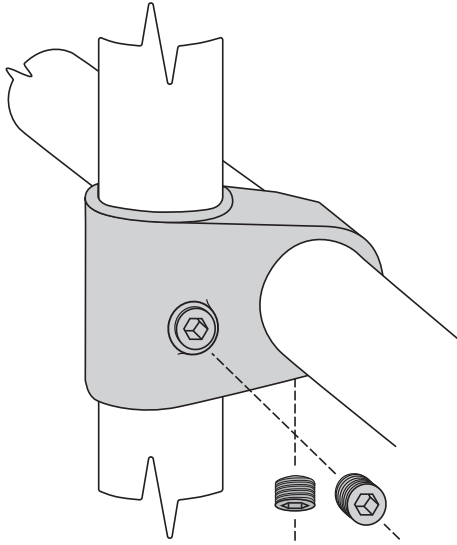
650mm [w] x 350mm [h]

Locking Points

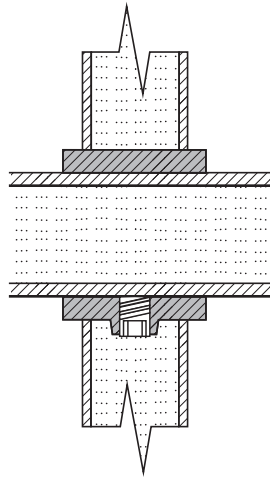


V4.1 - 1/05/2017 | Specification may be subject to change without notice. ©Bicycle Network

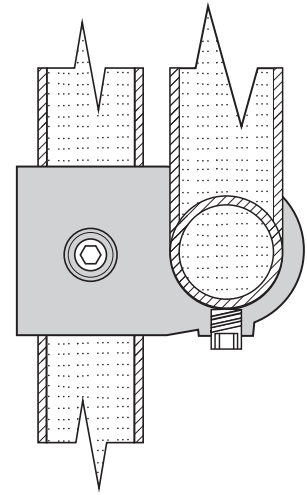
Fixing options



2 x 8mm Allen head bolts per clamp

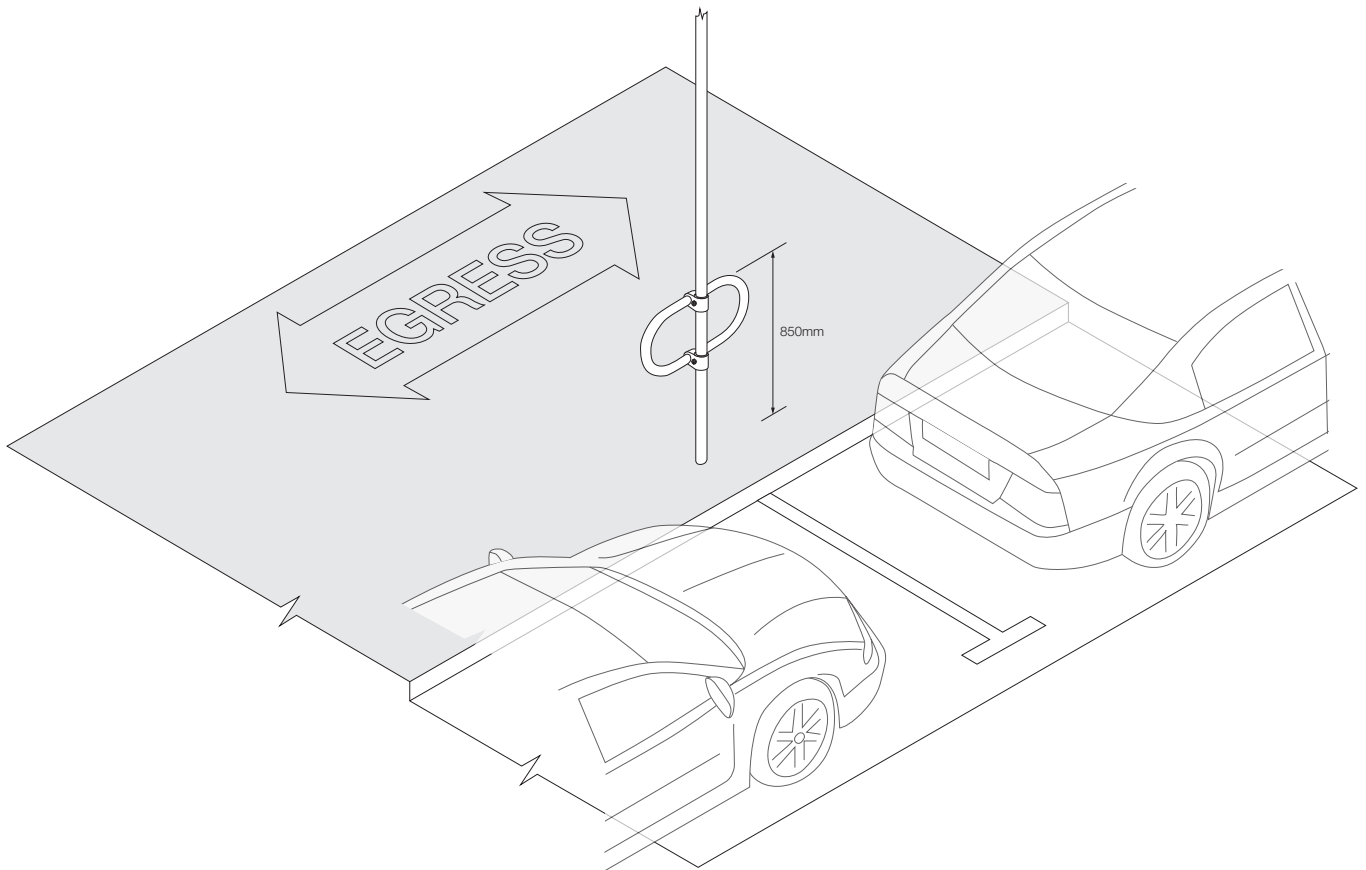


Front



Side

Layout guidelines



V4.1 - 1/05/2017 | Specification may be subject to change without notice. ©Bicycle Network