

# Towel Hitching™



Zinc finish

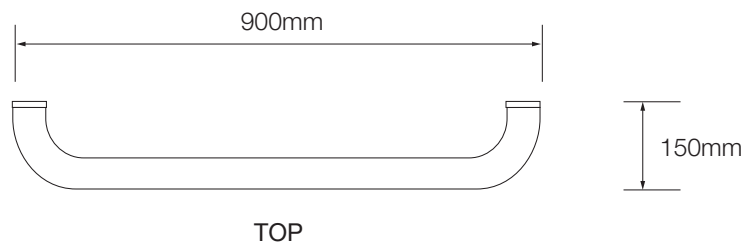
## Features



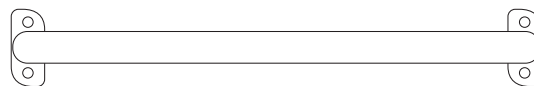
The Towel Rail is a space-efficient solution for parking single bikes against a wall, useful in narrow corridors.

- Space-efficient, can be fitted to narrow corridors
- Supplied in Zinc finish
- Accommodates all types and sizes of bicycle
- Is easy to use with any bike lock
- Requires no lifting

## Dimensions



TOP



SIDE

## Specifications

### Material options

- Zinc finish

### Fixing options

- Welded flange - Bolt On

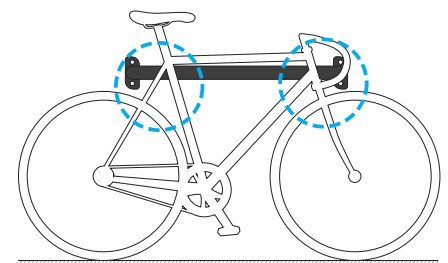
### Recommended fasteners

- Zinc plated dynabolts (M8 x 40mm)

### Dimensions

900mm [w] x 150mm [d]

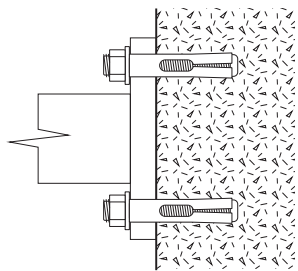
## Locking Points



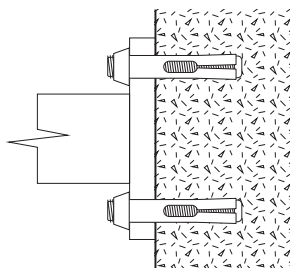
V4.1 - 1/05/2017 | Specification may be subject to change without notice. ©Bicycle Network

## Fixing options

Fix to a wall using 4x fasteners or Shear Nuts



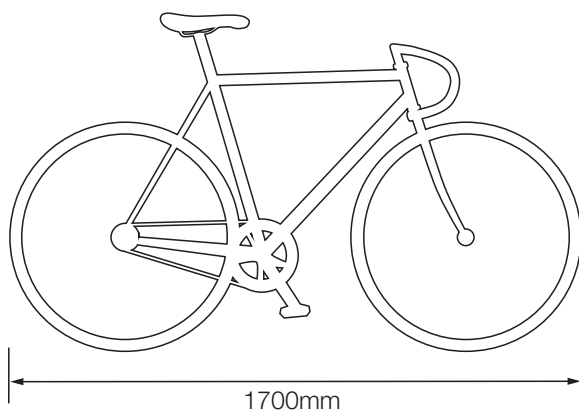
Shown with M8 x 40mm fastener



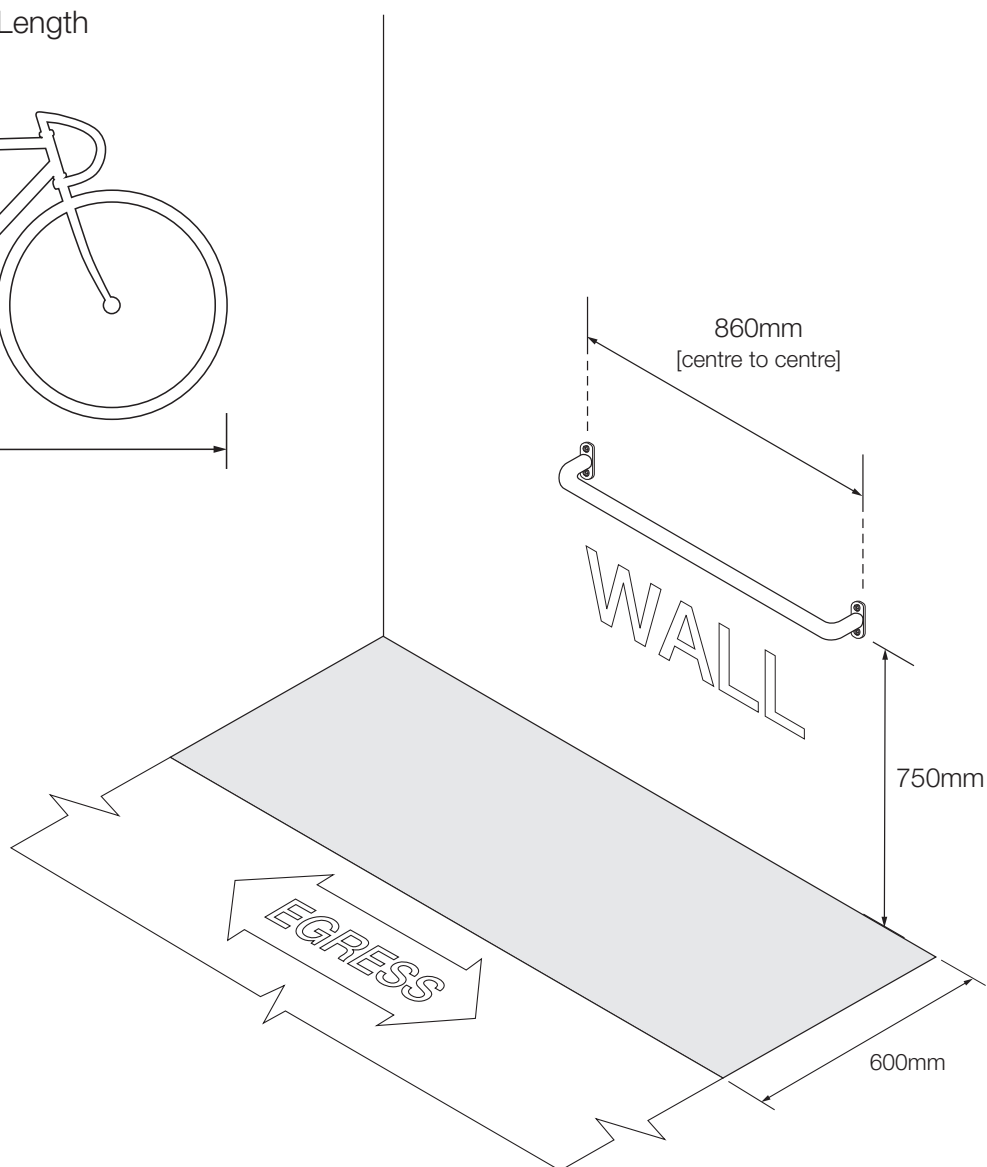
Shown with M8 x 40mm Shear Nuts

## Layout guidelines

Typical Bicycle Length



1700mm



860mm  
[centre to centre]

750mm

600mm

V4.1 - 1/05/2017 | Specification may be subject to change without notice. ©Bicycle Network