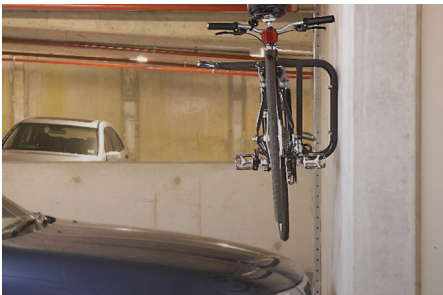


Mona Lisa™



Zinc finish

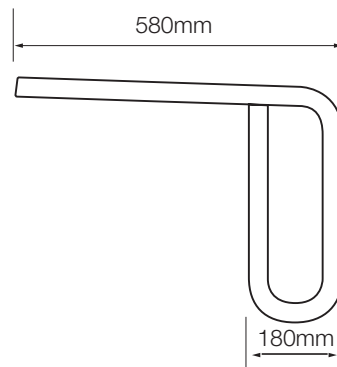
Features



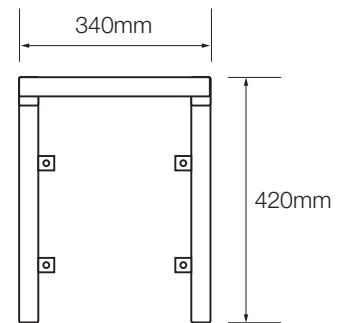
- Each rail supports two standard framed bikes*
- Provides economical use of space above car bonnet
- Provides the ability to lock the main frame and both wheels
- Available in Zinc finish

**Womens style frames can use a top tube convertor to mount on rail*

Dimensions



SIDE



FRONT

Specifications

Material options

- Zinc finish

Fixing options

- Bolt on to wall
- Fixed to support framing

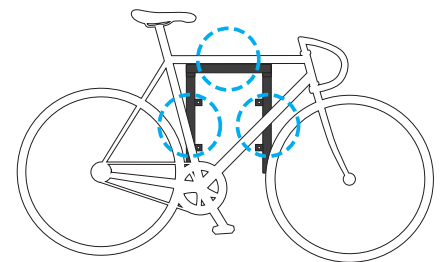
Recommended fasteners

- Dynabolts (M8 x 40mm)
- Shear Nut security fasteners
- Bolt and nut (M10 x 60mm)
- Tek screws

Dimensions

350mm [w] x 450mm [h] x 600mm [d]

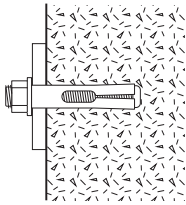
Locking Points



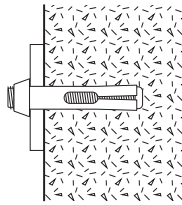
V4.1 - 1/05/2017 | Specification may be subject to change without notice. ©Bicycle Network

Fixing options

Fix to a wall using 4x fasteners or Shear Nuts

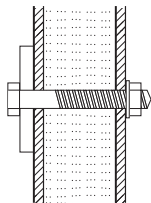


Shown with M8 x 40mm fastener

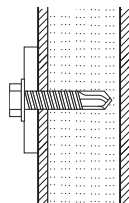


Shown with M8 x 40mm Shear Nuts

Fix to a frame using 4x bolts or Tek Screws



Shown with M10 x 60mm Bolt, Washer & Nut

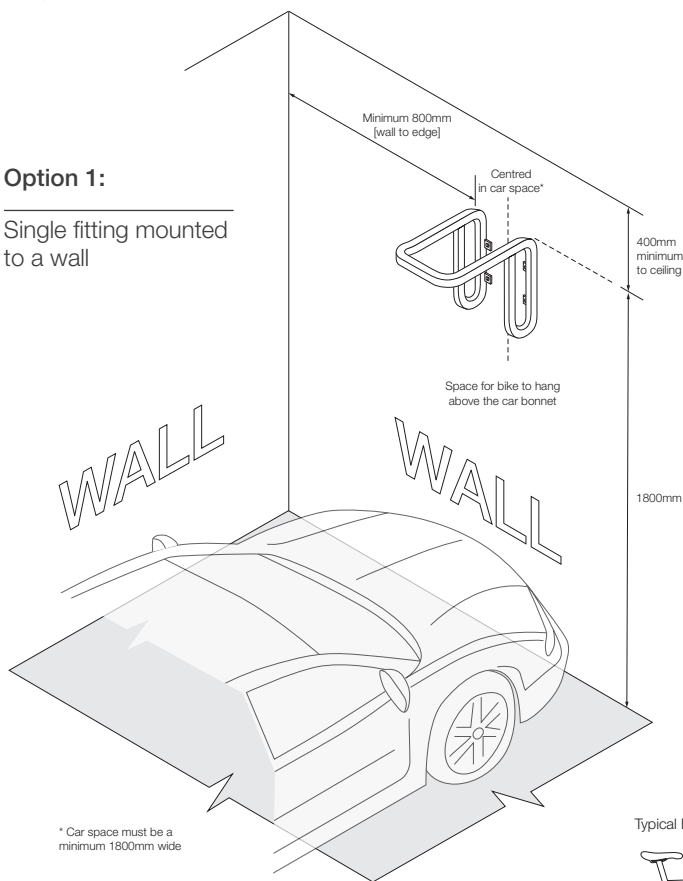


Shown with Tek Screw

Layout guidelines

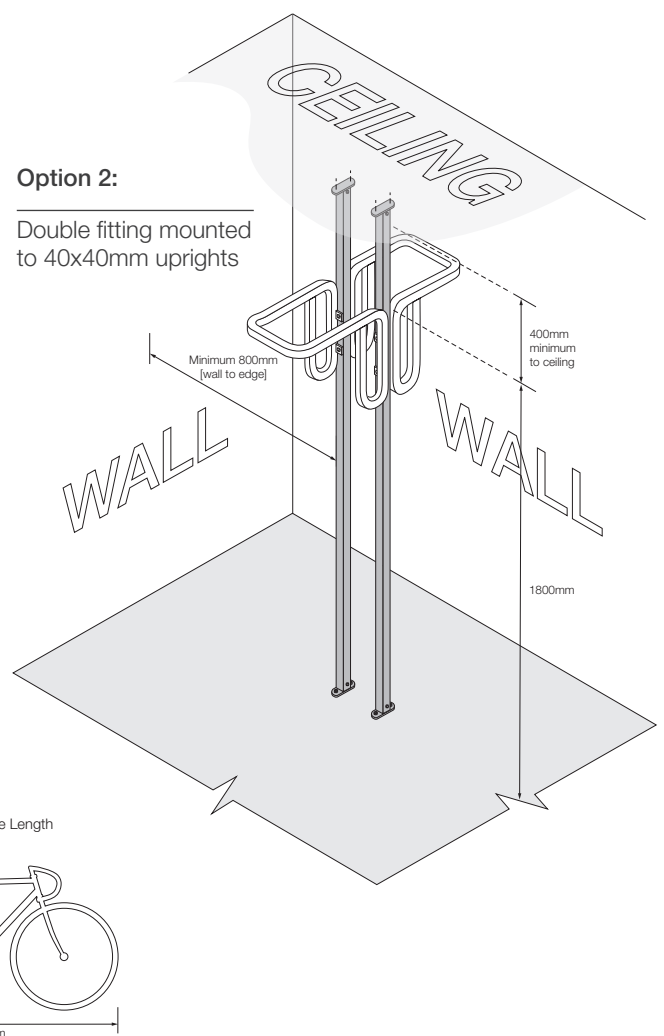
Option 1:

Single fitting mounted to a wall



Option 2:

Double fitting mounted to 40x40mm uprights



V4.1 - 1/05/2017 | Specification may be subject to change without notice. ©Bicycle Network