

Arc de Triomphe™



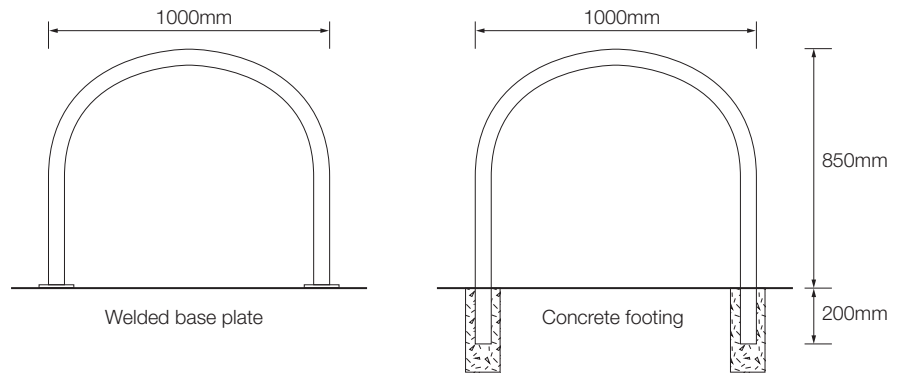
Galvanised finish / Stainless Steel finish

Features



- Each rail supports two adult bikes in an upright position
- Can be either bolted to a concrete slab or concreted in situ
- Available in stainless steel or galvanised steel
- Provides the ability to lock both wheels and frame
- Suitable for foyers and entry areas

Dimensions



Specifications

Material options

- Galvanised (Duragal)
- 316 Marine grade stainless steel

Fixing options

- Welded flange - Bolt on
- In situ

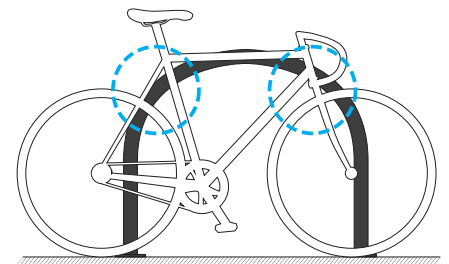
Recommended fasteners

- Galvanised Dynabolts (M10 x 65mm)
- Stainless Dynabolts (M10 x 65mm)
- Shear Nut security fasteners

Dimensions

1000mm [w] x 850mm [h]

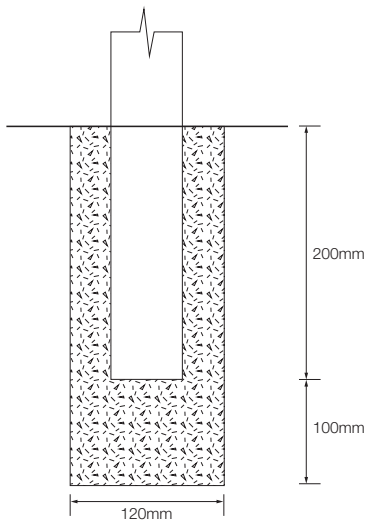
Locking Points



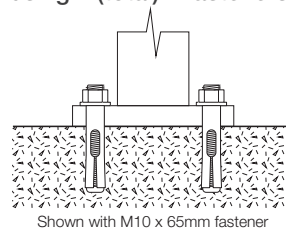
V4.1 - 1/05/2017 | Specification may be subject to change without notice. ©Bicycle Network

Fixing options

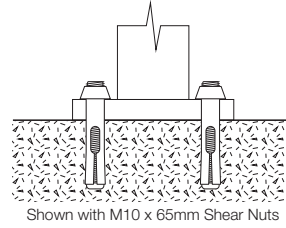
In situ (Concrete footing)



Welded flange (Bolt on) using 4 (total) x fasteners



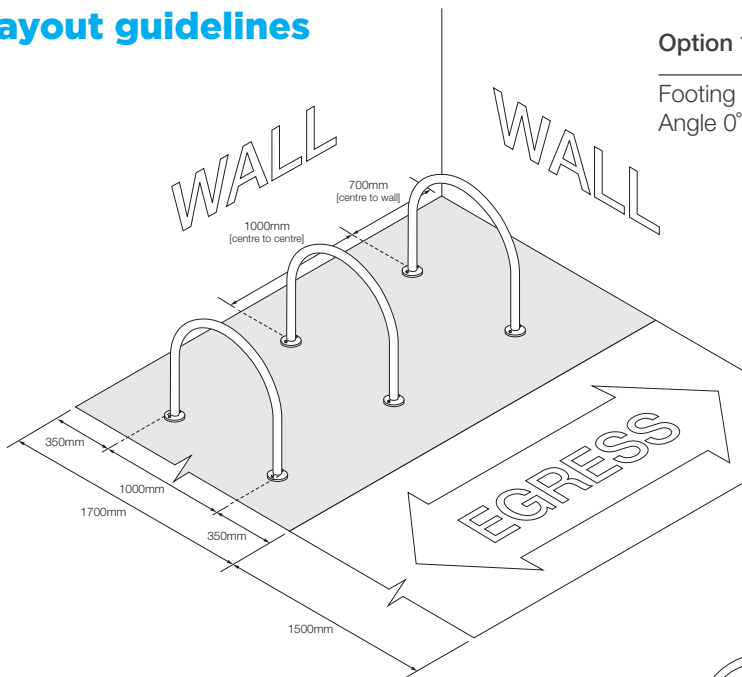
Welded flange (Security heads) using 4 (total) x fasteners



Layout guidelines

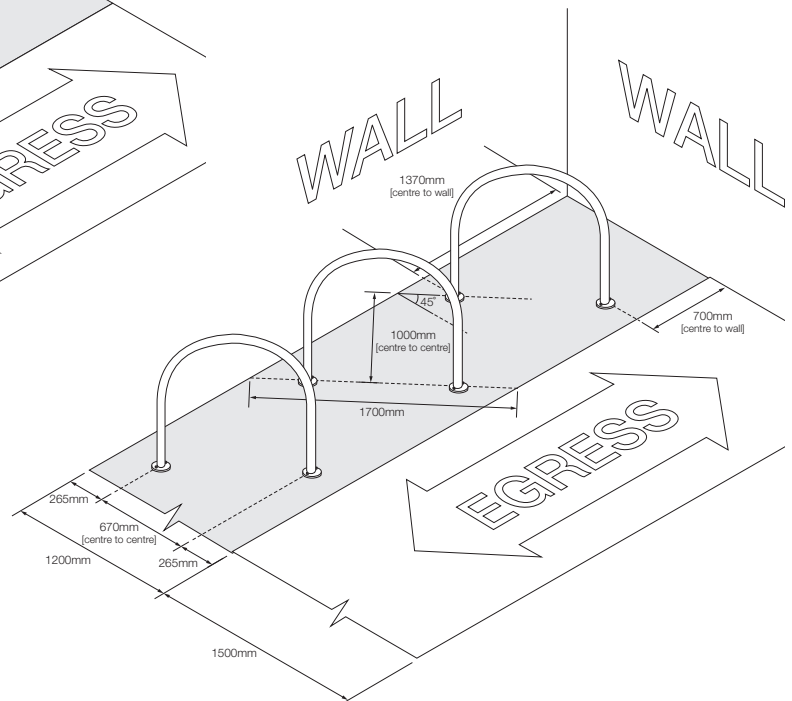
Option 1:

Footing Width 1700mm
Angle 0°



Option 2:

Footing Width 1200mm
Angle 45°



V4.1 - 1/05/2017 | Specification may be subject to change without notice. ©Bicycle Network



DESIGN. SUPPLY. INSTALL.

Bicycle Network ABN 41 026 835 903
 p. 1300 727 563 e. parking@bicyclenetwork.com.au bikeparking.com.au
 VIC Level 4, 246 Bourke Street, Melbourne VIC 3000 NSW 234 Crown Street, Darlinghurst NSW 2010
 TAS 210 Collins Street, Hobart TAS 7000 NT Suite 5, 18-20 Cavenagh Street, Darwin 0800