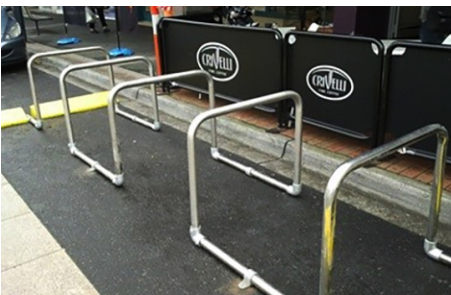


Anaconda™



Galvanised finish

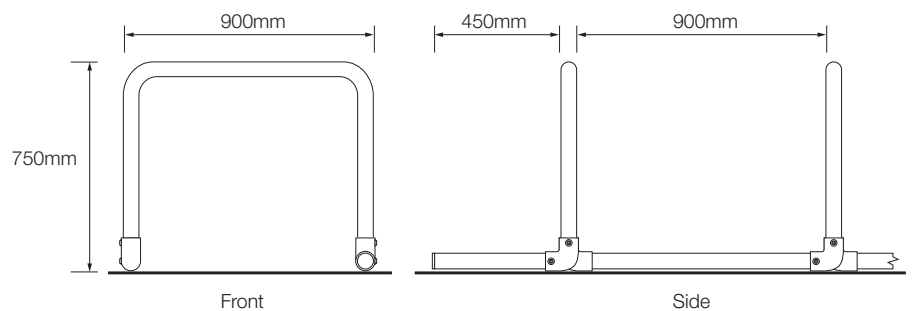
Features



Anaconda rails are a freestanding version of the Flat Top. These are an excellent solution for use on asphalt or for temporary event parking. Available in a variety of materials and finishes in both adult and junior sizes.

- Easy to use with any bike lock
- Freestanding, self-supporting and can be fastened to all surfaces
- Using clamp-on elbows and 8mm Allen key to join the rails
- Galvanised steel
- Adult and junior sizes available
- Parks two bicycles per rail in either parallel or diagonal set up
- Supports all styles of bicycles in an upright position

Dimensions



Specifications

Material options

- Galvanised (Duragal)

Fixing options

- Clamp on

Recommended fasteners

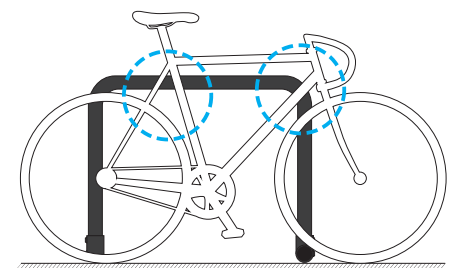
- Galvanised Dynabolts (M10 x 65mm)

Dimensions

900mm [w] x 750mm [h] — Adult

800mm [w] x 620mm [h] — Junior

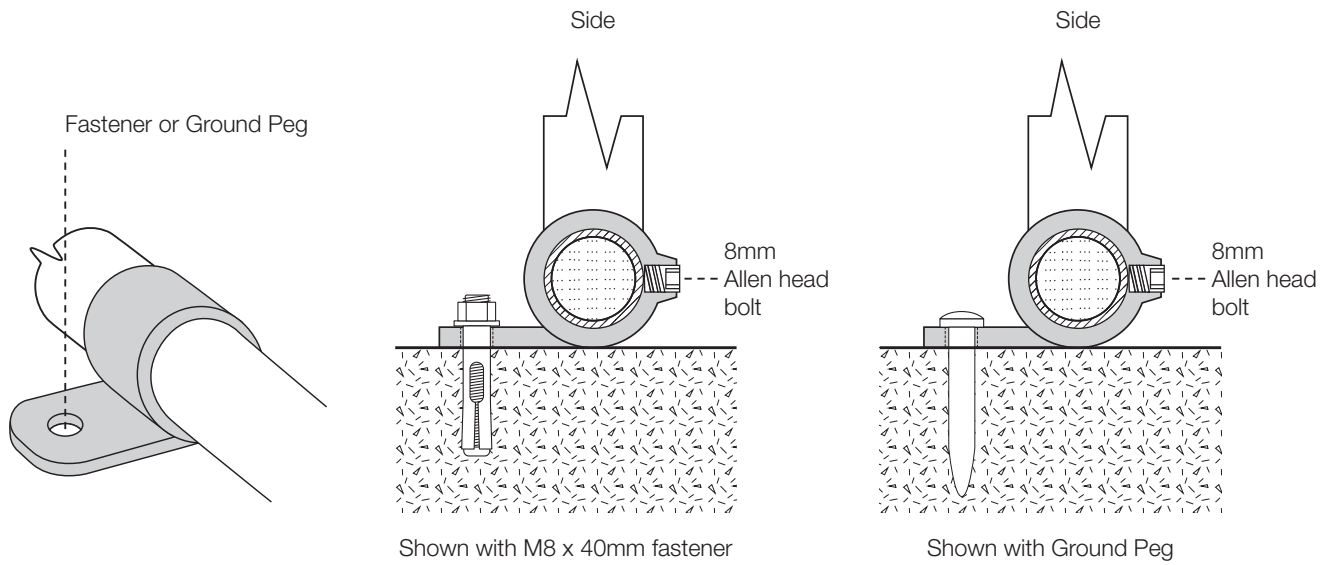
Locking Points



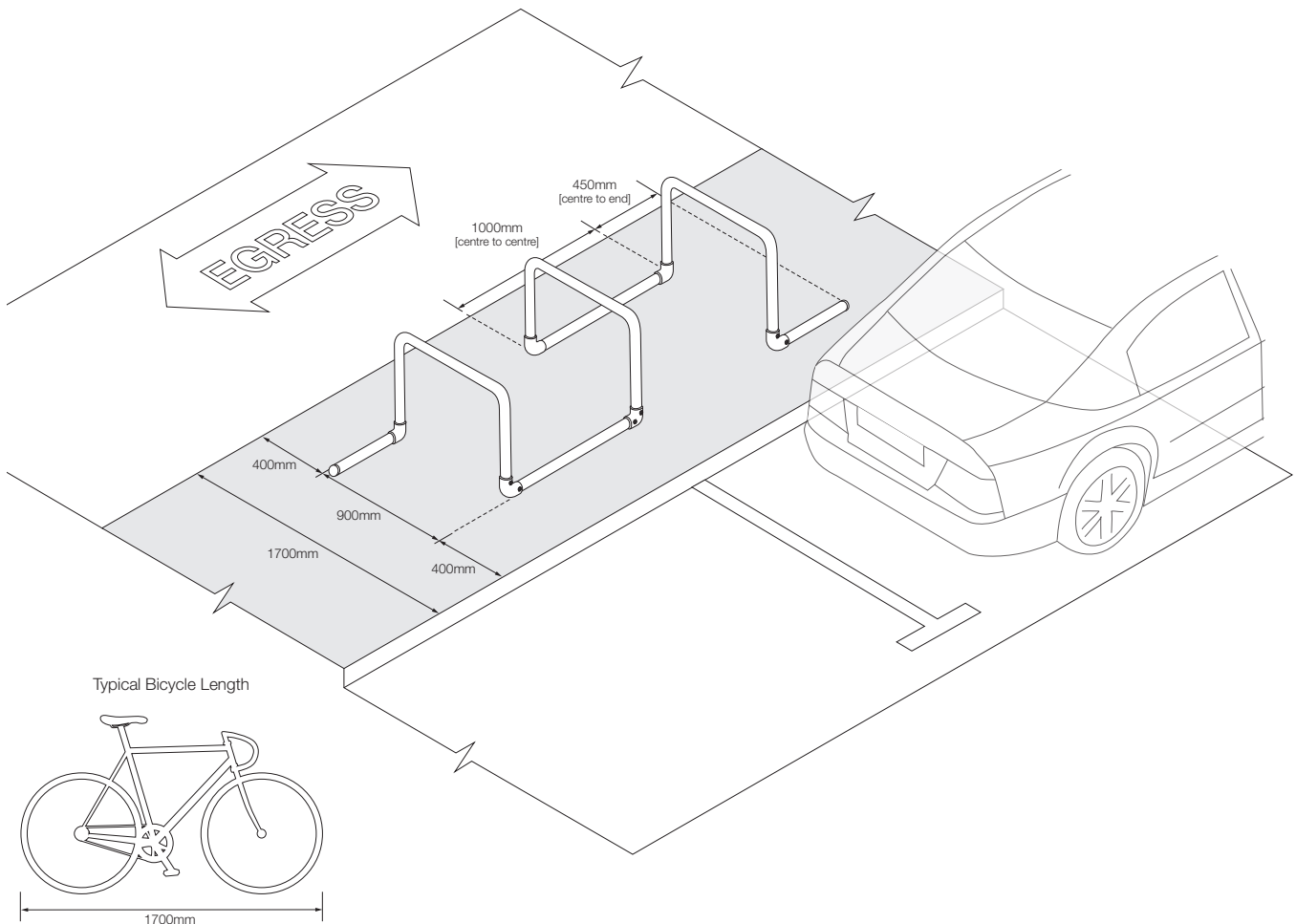
V4.1 - 1/05/2017 | Specification may be subject to change without notice. ©Bicycle Network

Fixing options

Fix to the ground with Ground Tabs fitted over the piping at each end and secured with 8mm Allen bolts. Use either a Fastener or Ground Peg to secure the Anaconda to the ground.



Layout guidelines



V4.1 - 1/05/2017 | Specification may be subject to change without notice. ©Bicycle Network